

# 5200 / 5400

large character hot melt inkjet case printers ■ ■ ■



## Our technology ■ ■ ■

Precise and dependable - Our 5200 and 5400 high resolution, large character inkjet printers combined with our Touch Dry® Hot Melt inks deliver superior print quality and consistency on corrugate cases, trays and wrapping films.

Touch Dry® Hot Melt inks print images which dry instantly on contact with no bleeding or fading; producing 100% readable barcodes. Touch Dry® inks are solvent free, environmentally safe, and employee friendly in formulation and handling.

## Your benefits ■ ■ ■

**Productivity** – The correct information on every case, every time. Touch Dry® Hot Melt ink eliminates the need for multiple ink formulations and change-over. Stage or add ink without stopping the production line. Our solvent-less ink and auto-purge technology reduce operator maintenance.

**Performance** – Touch Dry® Hot Melt inks print on a wide range of substrates and environmental conditions. Large drop volume at high frequency provides reliable printing at speeds up to 178 m/min. Multiple dye and pigment based inks and customizable printer settings give total image control.

**Flexibility** – Multiple jetting orientations; single side, opposite side, side and front, and top printing. Product configuration options include scanners, encoders, printhead slide assemblies, and stands. The 5200 or 5400 can be integrated with production lines, databases, or ERP systems via CoLOS® Enterprise software.



markem·imaje

A DOVER COMPANY

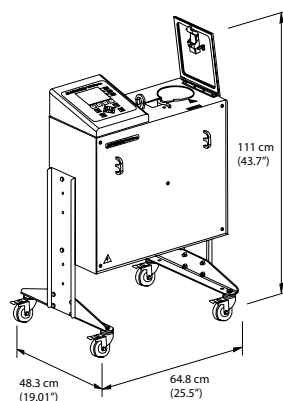
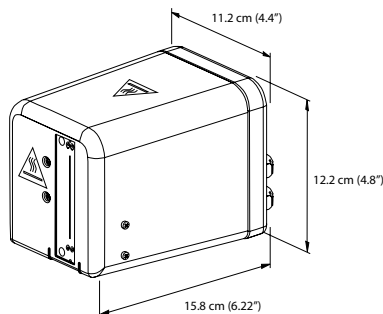
## Print features ■ ■ ■

- Print Head (PH) dpi  
Vertical dpi: 200  
Addressable Jets: 256  
Nozzles: 512

Print Density	DPI	Typical Speed (m/min)	Maximum Speed* (m/min)
1	150 x 200	121.9	182
2	300 x 200	61	91
3	450 x 200	40.6	61
4	600 x 200	30.5	45
5	750 x 200	24.4	36

- Print densities available: 1 to 10
- Encoder scaling: Allows for conveyor line speed matching and for higher print speeds with a reduction in the print resolution
- Slant mode: Increases PH vertical dpi from 200 to 282 with a maximum image height of 46 mm
- Print area: Maximum/PH print height: 65 mm  
Print length: 1,200 mm
- Print specification Extended ASCII character set
- Printing of real time clock (hr/min/sec), dates and auto updating best before dates and serial numbers
- Barcodes (Linear): ITF, Code 39, Code 128, EAN 128, EAN 8, EAN 13, UPC A, UPC and RSS
- Barcodes (2D): Static Datamatrix, Composite RSS and dynamic QR

\*Maximum speed is application dependent



## Operations ■ ■ ■

- 5200: Up to two PH's  
5400: Up to four PH's
- User interface: Backlit graphics display keypad utilized for image selection, variable data entry, diagnostics and system setup.
- Selectable multi-language menus
- Image preview
- Access level password protection
- Three level of user messages: Information, Warnings and Errors
- Full system diagnostic menu
- PH orientations: Vertical, horizontal and down jetting
- PH daily care: Purging and Test print capability
- Recommended software: CoLOS® image creation, database and networking software
- Encoder options: Internal: For fixed conveyor speed printing  
External: For optimizing print quality and recommended for bar code printing
- Photo-Edge sensors: Print (trigger) signal and a maximum of two/system
- Communications protocols: Ethernet, RS232 and RS485
- Hardware outputs: Fault relay (Dry contact)
- Ink replenishment: User prompted when to add ink and can be added w/o interfering with the operation of the printer
- Interfaces: Hand held wedge product select scanner. Remote keyboard.

## Other characteristics ■ ■ ■

- Weight: PH: 1.8 kg  
5200 control box: 64 kg  
5400 control box: 77 kg
- Hot melt inks: Available in various series, colors, bottles and ink blocks
- PH wipes: Support daily PH care requirements
- Electrical and environmental:  
5200: 115/200/208/230 V, 50-60 Hz  
5400: T200/208/230 V, 50-60 Hz

Model	System	Measured Operating Power	Peak Power During Warm-up
5200	1 head	300 watts	1450 watts
5200	2 heads	500 watts	1450 watts
5400	1 head	300 watts	2530 watts
5400	2 heads	500 watts	2530 watts
5400	3 heads	550 watts	2530 watts
5400	4 heads	600 watts	2530 watts

CE Marked. ETL listed, conforms to ANSI/UL 60950, 3rd edition (2000); CAN/CSA No. 60950-00, 3rd edition (2000).

- Operating environment of 0° to 40° C (32° to 104° F). IP45 protection (cabinet only w/door closed). IP42 protection (print head)
- Air: System generated
- Signal tower (beacon) assembly
- Manuals: Operator manual in local language with installation, setup and service guide in English only

## Options ■ ■ ■

- PH Slide Assembly
- Stainless steel cabinet
- Post print bar code scanner assembly
- TU Look-up assembly
- Printer service kits
- Preventive maintenance kits & contracts
- Regional telephone technical & product support
- Web site technical & product support

To learn more, visit [www.markem-imaje.com](http://www.markem-imaje.com)



We reserve the right to amend the design and/or specifications of our products without notice.

Markem-Imaje  
Global Sales & Marketing Division  
9, rue Gaspard Monge  
B.P. 110  
26501 Bourg-lès-Valence Cedex – France  
Tel: +33 (0) 4 75 75 55 00  
Fax: +33 (0) 4 75 82 98 10

